



DPS-5000

PC Based Compact Pre-Pack Scale

**Versatile pre-pack scale for
small work space**

Large label roll for more efficient pre-packing

Adjustable operator display

High speed printing



DPS-5000

*Searching for
a New Balance*

Features

- Front label loading mechanism makes label changing easy
- Large label roll for more efficient pre-packing
- Operator display with touch screen panel can be adjusted to fit operator's viewing preference
- Colourful 8.4" TFT touch screen display is eye-catching and easy to use
- High printing resolution at 300dpi on 80mm label



More features...

Remote diagnostics, email alert, printing graphics on label and receipt, Open Database Connectivity (ODBC) and help mode for operators

Options

- Attractive and informative electronics display provide seamless updating of product information with every printer database change
- Linerless labels reduces paper waste and is environment friendly



InfoCard
226.4 x 170.4 x 18.0mm



e.LABEL
85.0 x 73.5 x 15.8mm



InfoTag
65.4 x 39.0 x 11.5mm



Short Stand (Stainless Steel)
369.0 x 210.0 x 183.0mm

Specifications

Items Printed on Label		
- Price	- Special Message	- Image
- Content	- Shop Name	- Frames
- Multi-Barcode	- Dates: Packed on Date, Consume by Date	- Nutrifacts
- Discount Price	- Commodity Name	- Country of Origin
- Ingredients	- Times: Packed on Time, Consume by Time	- Others

Items Printed on Receipt (for Report)		
- Shop Name	- Sub Total	- Date
- Commodity Name	- Tax	- Time
- Price	- Grand Total	- Clerk Number
- Total Price	- Total Item Quantity	- Receipt Number
- Discount Price	- Barcode	- Machine Number

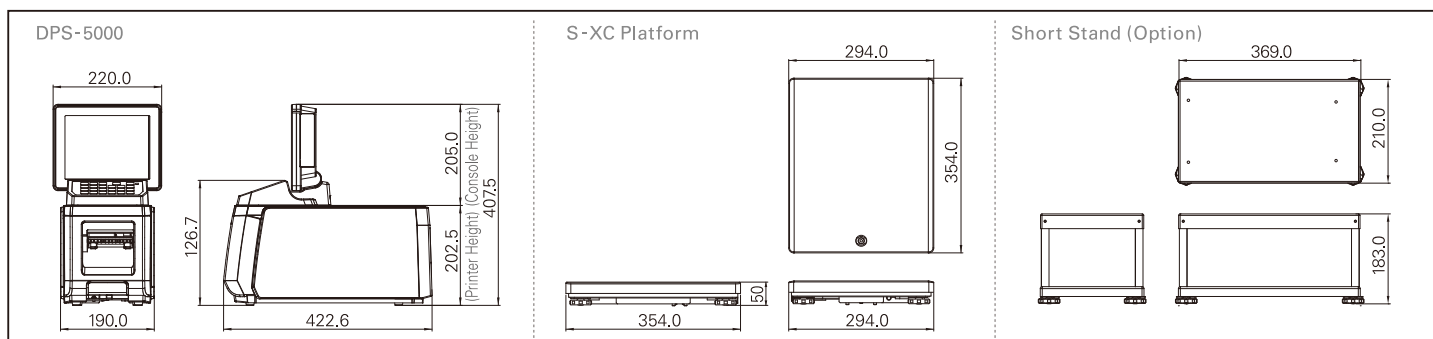
Capacity / Single Interval	Max 6kg	Max 15kg / 30lb
1 / 3,000	e = 2g	e = 5g / 0.01lb
1 / 6,000 or 1 / 7,500	e = 1g	e = 2g

Dimension (L) x (W) x (H)	DPS-5000	422.6mm x 220.0mm x 407.5mm
	S-XC Platform	354.0mm x 294.0mm x 50.0mm
	Short Stand (Option)	369.0mm x 210.0mm x 183.0mm
CPU	iMX31 533MHz	
Memory	Factory default 512 MB DDRAM 133MHz SD Card 8GB	
Display	8.4" TFT SVGA with Touch Panel	
Operator Display (Rotatable)	+/- 30 degree left and right; 90 degree up and down	
Weight	DPS-5000	11.20 kg
	S-XC Platform	6.65 kg
	Short Stand (Option)	3.35 kg
Printing Mechanism	Print Method	Thermal Printing
	Paper Width	Maximum 80mm
	Print Resolution	300dpi
	Print Speed	150mm/s
Max Print Length	240mm	
	Printing Media	Max Roll Diameter (Outer) 125mm Inner Roll Diameter 40mm
Barcode Type	Interleaved 2 of 5, EAN-8, EAN-13, EAN-128, RSS, PDF417 (for receipt only)	
Power Source	AC 100V / 220V	
Power Consumption	80W	
Operating Humidity	15% ~ 85% RH Non-Condensation	
Operating Temperature	-10°C to +40°C	
I/O Interface	USB, Ethernet 10/100 Base-T, RS-232 (Mini DIN), SD Socket	
Optional Interface	Wireless LAN (IEEE 802.11b/g)	

Model Variations

DP-5000 Printer / DI-5000 Indicator

Dimension (mm)



• Specifications are subject to change without prior notice
• Meet or exceed OIML Class III requirements

TERAOKA WEIGH-SYSTEM PTE LTD.

4 Leng Kee Road #05-02/03/04/05/11
SIS Building SINGAPORE 159088
TEL : +65 6472 2996
SALES : +65 6378 5387
FAX : +65 6863 4614
URL : www.teraoka.com.sg
E-MAIL : bdd@teraoka.com.sg

TERAOKA SEIKO CO., LTD.

13-12 Kugahara 5-chome, Ohta-ku,
Tokyo 146-8580, JAPAN
TEL : +81-3-3752-2131
FAX : +81-3-3752-2801
URL : www.digisystem.com
E-MAIL : info@hq.digi.co.jp